



REAL TIME SUBSEA OPTICAL TESTING

- OPTI-plus OTDR – 60KM+
- Multiple FO cores simultaneously or singular
- Single Mode and Multi Mode
- Light and dark fibres
- Live Surface data
- Multiple Frequency
- Budget Line loss, attenuation, multiple events
- Intuitive Interface and error reporting
- Live OTDR Trace

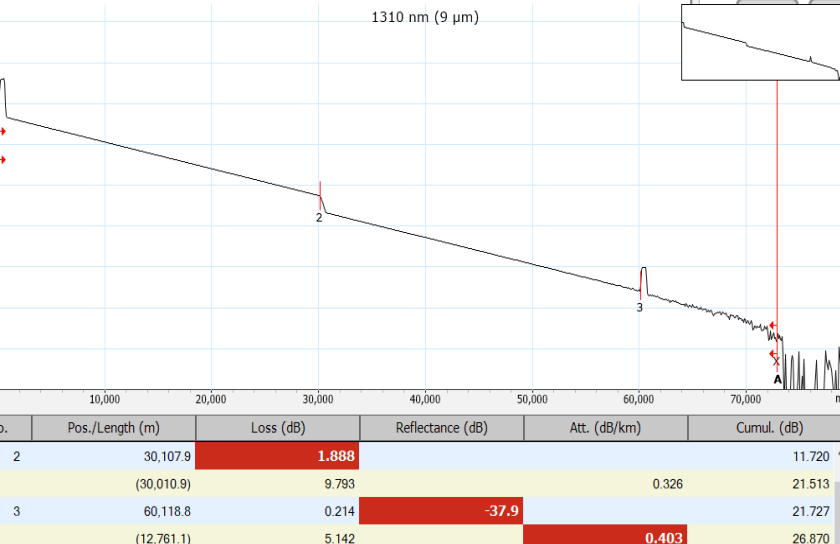
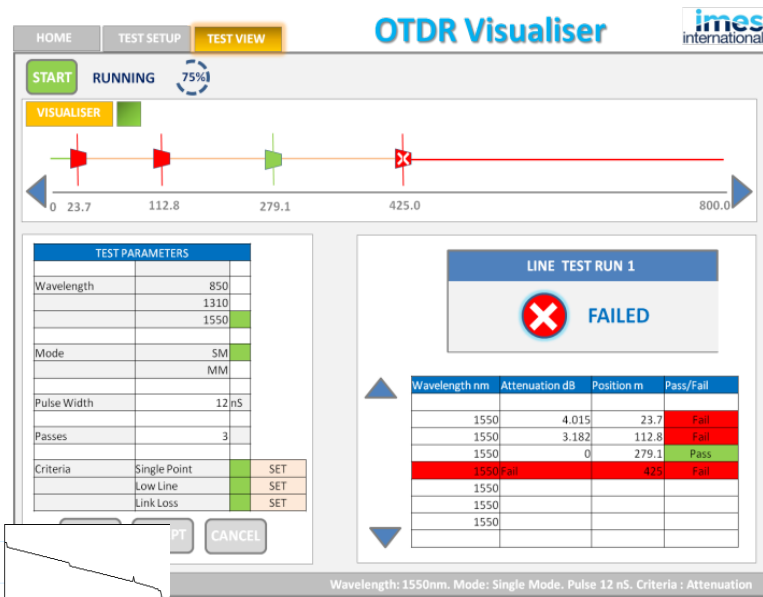


ROV Deployed Surface Controlled Live Data Feed



Map of Fibre Line shows all events & positions;
 Links
 Splices
 Connectors
 Terminations
 Bends and Constrictions

Link Attenuation
 Link Optical Return Loss (ORL)



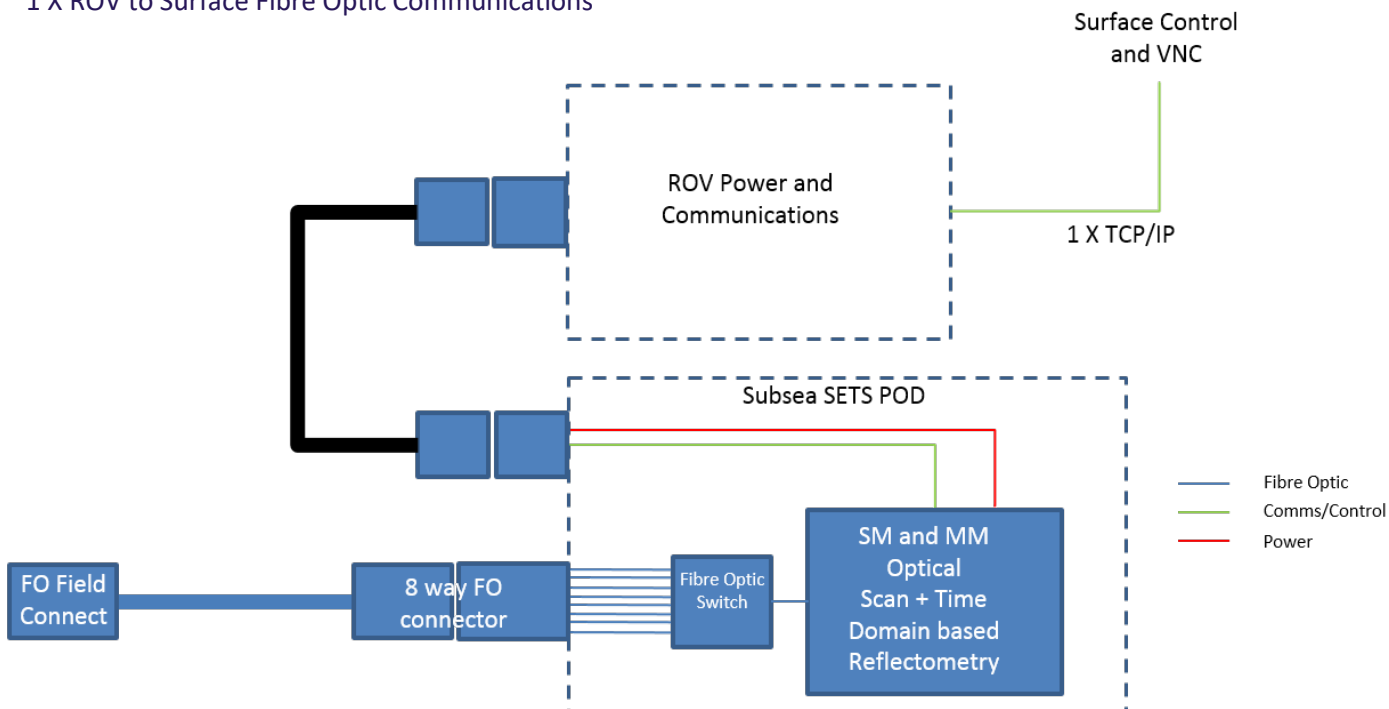
Live trace of fibre line;
 Point attenuations
 Reflections
 Link Attenuation
 Link Optical Return Loss (ORL)

Specification

Specification	Rating	Notes
Depth (POD)	3000MSW	
Power (POD)	110VAC 3A	
Communications (POD)	TCP/IP 10/100 VNC RS485/RS422 serial	
Connection	25 Way Burton	POD to ROV
Field Connect	To suite field, max 8 way fibre	Teledyne ODI Hybrid
OTDR Test Distance	0.1 to 60km (40km Multimode)	Dependant on line Attenuation
Number of lines	8 Fibre	
Mode	Single Mode/Multi Mode (SM/MM)	
Wavelength	850,1300,1310,1550	Quad capability
Pulse width	Variable, 3-20,000 Nano seconds	
Resolution (distance)	0.04m to 5m samples	User choice
Scan time	Variable	Dependant on cable length and chosen resolution.
Dynamic Range dB	27/29/36/35	
Uncertainty (Distance) m	Variable	(Distance X 0.0025%) + 0.75 + Resolution (distance)
Data	Cable status display, attenuation points, distances, reflections, ORL	Visual line display and textual information
Criteria	Pass and Fail based on Attenuation	Visual Indication
Temp, Operating	-10° to 50°C	-20° to 55°C Storage

Connection Requirement

- 1 X 110Vac 3A from ROV to OPTIplus pod
- 1 X ROV to Surface Fibre Optic Communications



OPTIplus Datasheet

Software

- PC Based Software
- Ethernet TCP IP Communications
- Windows 7,8 10
- Full remote test setup and start stop control
- Live (Near Real time) data trend
- IEC standard pass fail criteria (manual client criteria option)
- Visualiser shows visual Map of results and status
- Auto Report generation
- Data Export

