



LOAD PIN

Product Description

Load pins are one of the most resilient yet simple load measurement devices, designed primarily to replace conventional pins in cranes and winches they are suitable for new or retrofit applications in a range of industries from offshore winches to crane load measurement.

Imes 55 years of experience combined with specialist build and test equipment and high capacity calibration machines allows Imes to confidently design and build reliable transducers for ultra rugged and specialist applications such as subsea mooring where equipment has to survive 20-30years in offshore or subsea environment



Dual sided load pin ,complex crane sheave arrangement



2400t IP68 Load pins supplied for Stinger systems.

Standard Features

- Capacities from 500kg to 2500t
- Stainless Steel Construction (17-4PH H1150)
- Internally down hole gauged
- High impact and overload capability
- IP67 rating (IP68 and subsea options)
- Rationalised mV output (option for amplified)
- Temperature and Environmental compensation

Typical applications include

- Winch Tension Measurement
- Anchor packages
- Chain Stopper Systems
- Crane Load measurement
- Mooring load measurement
- Grab and Grapple Systems
- Wheel pins



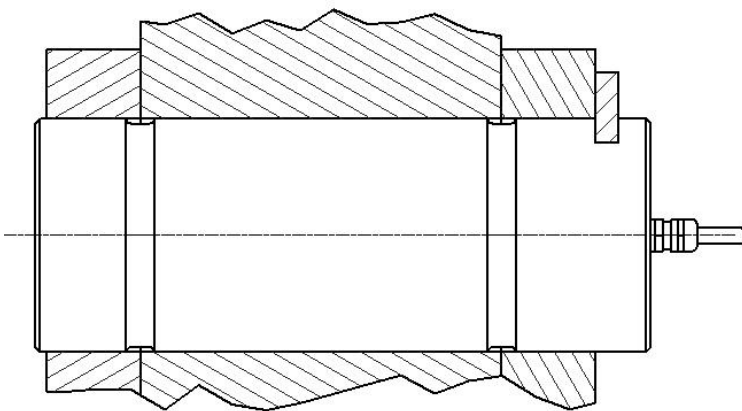
Specification:

Capacities	0.5 to 2500 tonne
Proof Load	150 to 200 % of rated load
Working Overload	150 to 200 % of Rated Load
FOS Ultimate breaking load	500% of Rated Load
Bridge Resistance	350Ω (1000Ω ATEX)
Excitation	10Vdc nominal (5-15Vdc range)
Output (typical)	1.0 to 2.0mV/V
Non-linearity	±0.1 to ±1% typical
Non-repeatability	±0.04% Optimum
Environmental	IP67 (IP68 option)
Operating temp. range	-20 to +80 °C
Temp. Coefficient on Zero	<0.02% Rated Load / °C
Temp. Coefficient on Span	<0.02% rated load /°C
Signal cable	5m polyurethane 4 core

Information is subject to change without prior notification.

Options:

- Wireless
- Bespoke dimensions
- Submersible and permanent subsea
- Hazardous Area (ATEX Approved)
- Plug and Socket
- Dual redundant Gauged
- Dual Axis X/Y Gauged
- 4-20mA Internal Amplifier
- High/Low temperature extremes
- Radiation Resistant
- Special anti-rotation / locking plates
- Internal Grease ways
- Witness by Lloyds, ABS, DNV,
- Anti-rotation flats or locking plates
- Case Hardened



Typical Loading Arrangement

